



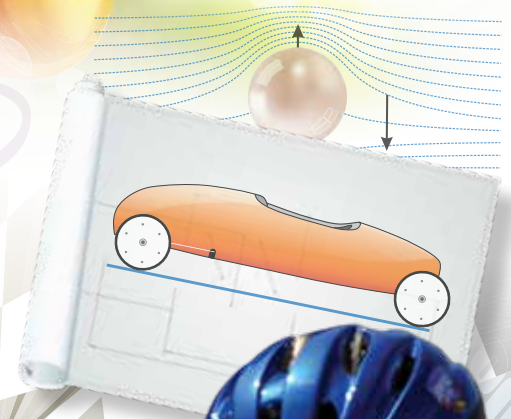
SOAP BOX DERBY®



Soap Box Derby
789 Derby Downs Drive
Akron, OH 44306

330.733.8723
soapboxderby.org
soapbox@soapboxderby.org

STEM Based Education Program Curriculum



It's gravity powered and STEM driven!

It's gravity powered and STEM driven!

The Soap Box Derby STEM Based Education Program Curriculum contains activities that engage learners with:

- Project based lessons
- Team building
- Inquiry based learning
- Creative problem solving
- FUN!

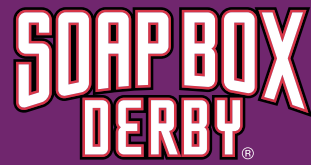


"The big thing for me is if you look at all of the jobs available right now, they're all technical and engineering related jobs. The more we can introduce our kids to the skills needed for these jobs the better we're preparing them. The Soap Box Derby STEM Based Education Program is a great tool for that purpose."

– Justin Christopher, STEM Coordinator for Tallmadge Middle School



The Soap Box Derby® is an international non-profit organization whose mission is to build knowledge and character, and to create meaningful experiences through collaboration and fair and honest competition.



Soap Box Derby STEM Based Education Program Curriculum

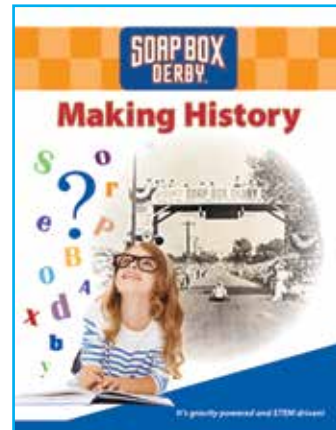
The Soap Box Derby STEM Based Education Program Curriculum provides educators and learners with a choice of five exciting, Common Core aligned modules focused on developing STEM competencies such as:

- Prototyping
- Research
- Critical thinking
- Problem solving
- Communication
- Collaboration
- Teamwork

The curriculum contains five modules that can be purchased together or separately. One module is not dependent on the other. Plus most of the necessary supplies are packaged with each module.



To purchase these modules, please go to: www.soapboxderby.org or call 330.733.8723 to order.



Making History - Module 1 for grades 5-6

Discover the fascinating history of the Soap Box Derby, experiment with STEM concepts like Kinetic and Potential Energy, and author your very own Soap Box Derby book! This module contains four lessons (approximately one hour each) that will energize your learners.

Price: \$750



Keep Moving - Module 2 for grades 5-6

Never waste your energy again! Learners discover the impact of shape and drag through fun STEM experiments. Four action packed lessons that keep the learners engaged for approximately an hour per lesson.

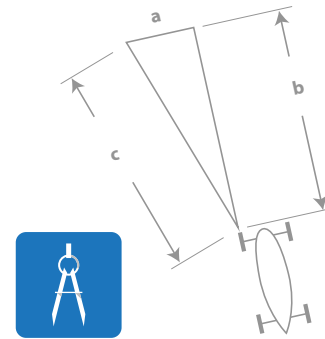
Price: \$750



Stay on Track - Module 3 for grades 5-6

Ever wonder why we are grounded on Earth and can float in space? Explore these STEM concepts through experiments with gravity and weight! Five lessons that can be spread over several days and will take nearly seven hours to complete.

Price: \$750



Can't Stop Me Now - Module 4 for grades 5-6

The learning doesn't stop in this exciting unit...discover how friction and slope can keep you moving! Four lessons to keep your learners moving for approximately an hour per lesson!

Price: \$750

For Grade Levels 6 - 8:



Off to the Races - Module 5

Discover the secrets behind designing the fastest Soap Box Derby car through STEM concepts and design! **Off to the Races** has seven lessons that can be spread over several days and will take nearly eight hours to complete.

Price: \$1,000

